

100 ANIMALS / HIGHLAND HUNTER 2017 > STATUTE and RULES

STATUTE

Tournament based on the cooperation of the Belarusian archery club "Archery Club Belarus", archery club of Lithuanian "Gintarine 'Stre'le" and Estonia "Mägilased", with the support of the «Belarusian Archery Federation» and The recreation center "Halt".

"100 Animals / Highland Hunter 2017" is the 3D bowhunting competition, which's goal is to relate bowhunters from different countries and to propagate bowhunting.

RULES

"100 Animals / Highland Hunter's "rules are based on IFAA - WBHC rules and modified according to this competition. The missing paragraphs from the rules of "100 Animals / Highland Hunter" (e.g. safety, archer's behavior etc.) are described in the rules of IFAA and WBHC.

I DIVISIONS AND STYLES

1. DIVISIONS

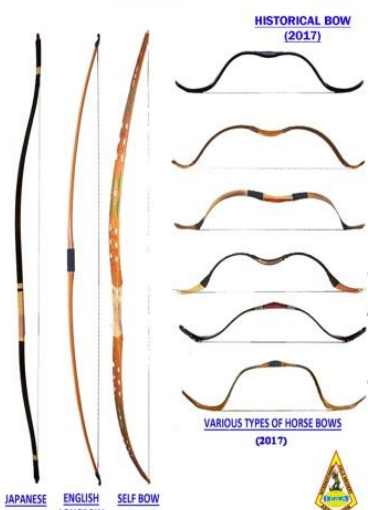
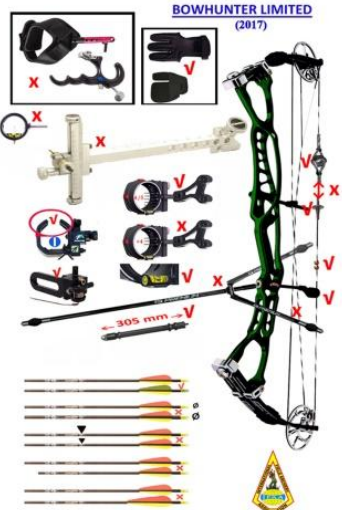
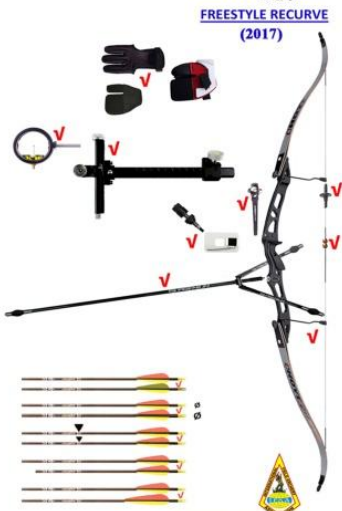
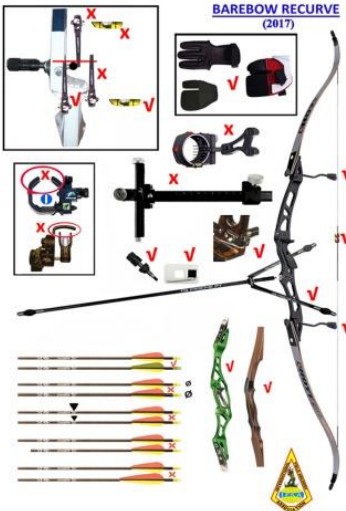
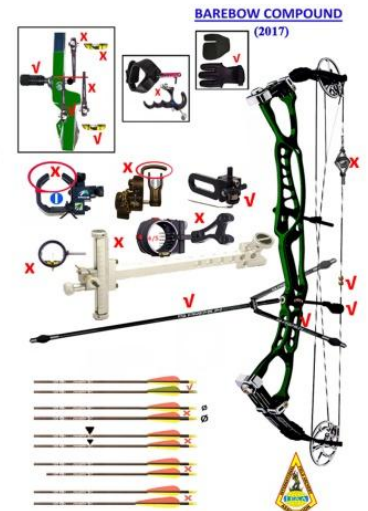
- 1.1. VF – Veteran, Female (>55 y.)
- 1.2. VM – Veteran, Male (>55 y.)
- 1.3. AF – Adult, Female (17-55 y.)
- 1.4. AM – Adult, Male (17-55 y.)
- 1.5. JF – Junior, Female (13-16 y.)
- 1.6. JM – Junior, Male (13-16 y.)
- 1.7. CF – Child, Female (<13 y.)
- 1.8. CM – Child, Male (<13 y.)

2. STYLES

- 2.1. Historical Bow (HB)
- 2.2. Long Bow (LB)
Traditional Recurve (TR)
- 2.3. Bowhunter Recurve (BH-R),
Barebow Recurve (BB-R)
Barebow Compound (BB-C)
Bowhunter Compound (BH-C)
- 2.4. Bowhunter Unlimited (BH-U)
Bowhunter Limited (BH-L)
Freestyle (limited) Compound (FC)
Freestyle Recurve (FR)
Freestyle Unlimited (FU)

<http://www.ifaa-archery.org/index.php/site-map/bs1/bowstyles-poster.html>

SHOOTING STYLES OF THE IFAA (2017)



JAPANESE BOW
ENGLISH LONGBOW
SELF BOW

VARIOUS TYPES OF HORSE BOWS (2017)

II 100 ANIMALS / HIGHLAND HUNTER 2017 ROUND

1. TARGETS: Only 3-D targets will be used for this round.

2. STANDARD UNIT: The standard unit consists of 100 butts:

Herd targets (1 shooting position per archer with 2, 3 or 4 butts)
Group targets (2, 3 or 4 shooting positions per archer with 2, 3 or 4 butts)
Single 3D targets (1 shooting positions per archer with 1 butt)

3. SHOOTING POSITIONS: Shooting positions are with unmarked distances and placed at maximum of 50 yards for adults and juniors, 30 yards for cups. Minimum shooting distances are not designated. In case more than 1 butt is used the butts and shooting positions are marked with colors in priority order Reed (R), Yellow (Y), Green (G), Blue (B). For cups the White (W) shooting position markers are used.

4. SCORING: Archer must shoot 1 arrow into each butt. All arrows are counted for score. Arrow shall score the higher value of scoring zones in case the shaft of arrow has a touch to higher scoring area (line between the scoring zones has to be broken).

A tie break occurring for the 1st, 2nd and 3rd placing shall be a shoot-off after the scores have been verified by the Tournament Secretary under Tournament Captain supervising. A tie break occurring for other placing's shall be solved via the greatest number of 10's and least number of 0's. Scores are counted as shown:

	Kill & Vital	Wound
1 arrow	10	5

5. HERD TARGETS:

- 5.1 One (1) shooting position only per archer.
- 5.2 Two, three or four butts, marked with colors R – Y or R – Y – G or R – Y – G – B at different distances.
- 5.3 Archer must shoot arrows in sequence R – Y or R – Y – G or R – Y – G – B, one arrow into each butt.
- 5.4 All arrows are counted for score.
- 5.5 Arrows shot in wrong sequence are not counted.

6. GROUP TARGETS:

- 6.1 Two or three or four (2 or 3 or 4) shooting positions, marked R – Y or R – Y – G or R – Y – G – B.
- 6.2 Two or three or four butts are placed in a group, marked R – Y or R – Y – G or R – Y – G – B.
- 6.3 Archer must shoot arrows in sequence R – Y or R – Y – G or R – Y – G – B, one arrow at each marker.
- 6.4 All arrows are counted for score.
- 6.5 Arrows shot in wrong sequence are not counted.

7. SINGLE 3D TARGETS:

- 7.1 One shooting position and one target.
- 7.2 Archers must shoot only one arrow at target.

8. SCORE CARDS:

- 8.1 Scorecards shall be signed by the scorer and the archer, denoting that the archer agrees with the
- 8.2. Both score cards have to be returned to the Tournament Secretary.

9. TEAMS:

- 9.1 In 2017 there are also Teams competing in the Tournament. A Team consists of one male LB (or HB) archer, one female LB (or HB) archer and one archer shooting bow with sight (male or female). A Team's score shall be the sum of its members' individual scores.
- 9.2 Registration of a Teams is charged. The fee value is settled in Tournament Program.